



Saracen Distribution  
Unit 9, Grandstand Business Centre  
Faraday Road, Hereford, HR4 9NS  
Tel No: 01432 344133  
Fax No: 01432 34412  
Mobile: 07836 756468  
info@saracendistribution.co.uk  
http://www.saracendistribution.co.uk

## AZUR 3 Tonne 2 POST MECHANICAL LIFT WITHOUT BASEFRAME

### 444 9140B



### KEY FEATURES

- Automatic arm locking
- Low profile arms
- Diagnostic control panel
- Suitable for most passenger cars and car derived vans
- The 'clear-floor' offers operators ease of access for service equipment such as body jigs, transmission jacks and fluid draining equipment
- Foot protection device fitted to lifting arms
- Easy vehicle loading
- Heavy duty columns for maximum rigidity
- Integral automatic lubrication system
- Electronically synchronised twin motor design



# AZUR 3000kg CAPACITY TWO POST LIFT



Adjust Lift Pad



High Lift Pad 280mm



Lockable Pads



Renault Espace Adaptors



Sill Clamp Adaptors



Low Ceiling Safety Device

## INSTALLATION & APPLICATION

Suitable for use in most car workshops for lifting of cars and car derived vans. Installation onto 160mm thick BN 250 RC30 concrete slab 400V power supply via minimum 20 Amp fused isolator. Concrete floor integrity is essential please consult your Tecalemit Sales Manager.

## PART NO & ORDERING INFORMATION

Azur 3.0t 2 Post Mechanical Lift 3Ph  
without baseframe 444 9140B

## TECHNICAL SPECIFICATIONS & DIMENSIONS

Maximum Load	3000Kg
Pad Height - min	100mm
Maximum Lifting Time	60Secs
Power Supply	400V, 3Ph
Lifting Height	2040mm
Fused Isolator Rating	20 amp
Net Weight	770Kg
Motor Supply	2 x 1.5kW
Gross Weight	820Kg
Passage Width	2200mm
Shipping Specifications	2093x780x930mm

## OPTIONS & ACCESSORIES

Adjust Lift Pad kit 71 - 133mm Extension - set of 4	OA 60066
High Lift Pad Kit - 280mm Extension to existing pad	OA 50628
Lockable Pads for Renault vehicles - set of 4	OA 50627
Renault Espace Adaptors - set of 4	444 8056
Sill Clamp Adaptors (Peugeot) - set of 4	OA 50629
Low Ceiling Safety Device - installation customer responsibility	494 8521

### SERVICE

Tecalemit have a team of over 50 service engineers covering the whole of the UK. On-site maintenance, testing, re-calibration and trouble-shooting can all be carried out with the minimum of fuss and downtime for customers. Please consult our Plymouth Service Centre for further information on 01752 219100.

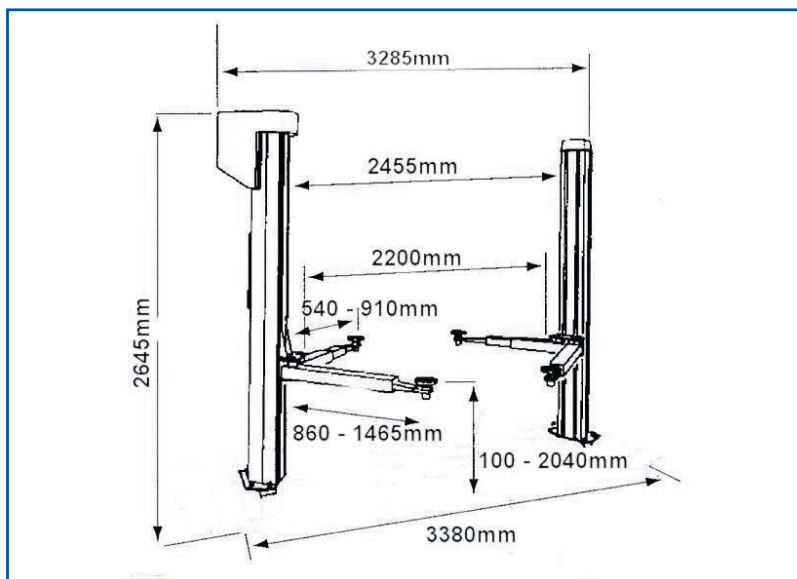
### WARRANTY

All products carry a 12 month warranty from the date of supply/installation, installation to be carried out by Tecalemit engineers. Exceptions to this being electrical cables and consumables.

### SALES

Tecalemit Garage Equipment Co Ltd, Eagle Road,  
Langage Business Park, Plympton, Plymouth,  
Devon PL7 5JY

Tel: 00 44 (0) 1752 219111  
Fax: 00 44 (0) 1752 219128  
Email: sales@tecalemmit.co.uk  
Web: www.tecalemmit.co.uk



All information in this document correct at time of publication. Tecalemit reserves the right to amend and alter specifications without prior notice. Please confirm any critical requirements with your supplier at time of ordering.

© Tecalemit 2004

Issue No: 493/4 - 01.04

