



Saracen Distribution
Unit 9, Grandstand Business Centre
Faraday Road, Hereford, HR4 9NS
Tel No: 01432 344133
Fax No: 01432 34412
Mobile: 07836 756468
info@saracendistribution.co.uk
<http://www.saracendistribution.co.uk>

AZUR 2.8 Tonne 2 Post Mechanical Lift

SF 8907

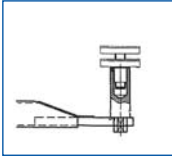


KEY FEATURES

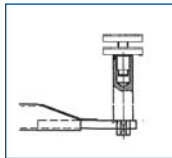
- Suitable for most passenger cars and car derived vans
- Automatic arm locking device
- Self lubricating nuts
- 5 year warranty on nuts
- Extremely low lifting height (90mm)
- Electronically controlled fail safe system
- Foot protection device fitted to lifting arms



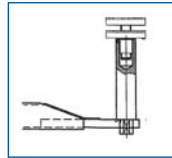
AZUR 2800kg CAPACITY 2 POST LIFT



High Lift Pad 20mm



High Lift Pad 100mm



High Lift Pad 170mm

INSTALLATION & APPLICATION

Suitable for use in most car workshops baseframe design allows for clear lifting of high bodied vehicles. Installation onto a 150mm thick, level, C25 Concrete slab. 400V 3Ph Power via minimum 16amp RIT fused isolator .



Adjustable lifting pad without extension



Adjustable lifting pad with 60mm extension (supplied with lift)

PART NO & ORDERING INFORMATION

Azur 2.8t 2 Post Mechanical Lift 3Ph with baseframe

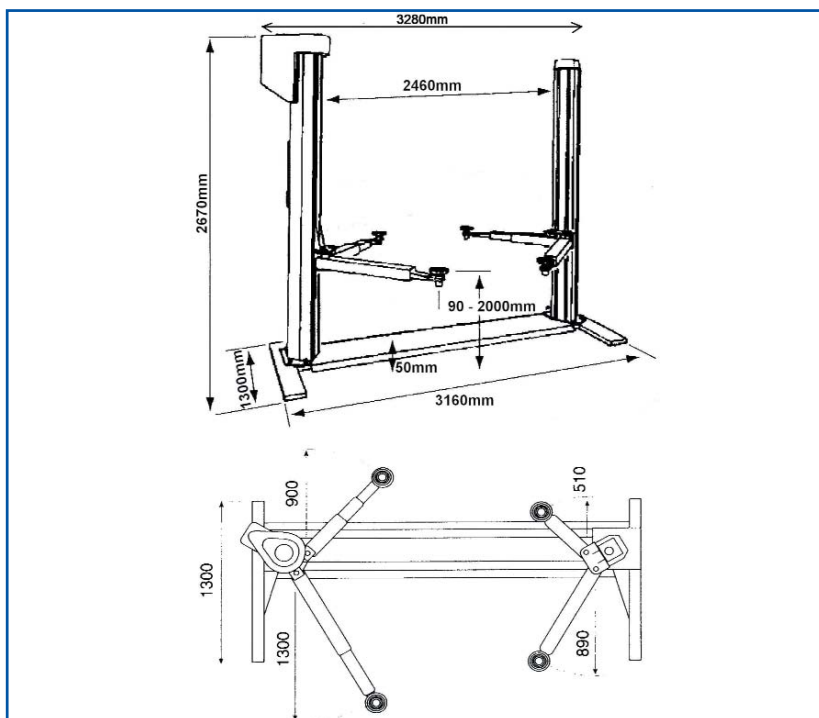
SF 8907

TECHNICAL SPECIFICATIONS & DIMENSIONS

Pad Height - min	90mm
Motor Supply	2.6Kw
Raised Height	2000mm
Passage Width	2200mm
Maximum Load	2800Kg
Lifting Height	2000mm
Maximum Lifting Time	55 secs
Net Weight	700Kg
Power Supply	400V, 3Ph
Gross Weight	750Kg
Fused Isolator Rating	20 amp
Shipping Specifications	2750 x 710 x 720mm

OPTIONS & ACCESSORIES

High Lift Pad Kit 20mm Extension Set of 4	OA 50740
High Lift Pad Kit 100mm Extension Set of 4	OA 50734
High Lift Pad Kit 170mm Extension Set of 4	OA 50735



SERVICE

Tecalemit have a team of over 50 service engineers covering the whole of the UK. On-site maintenance, testing, re-calibration and trouble-shooting can all be carried out with the minimum of fuss and downtime for customers. Please consult our Plymouth Service Centre for further information on 01752 219100.

WARRANTY

All products carry a 12 month warranty from the date of supply/installation, installation to be carried out by Tecalemit engineers. Exceptions to this being electrical cables and consumables.

SALES

Tecalemit Garage Equipment Co Ltd, Eagle Road, Langage Business Park, Plympton, Plymouth, Devon PL7 5JY

Tel: 00 44 (0) 1752 219111
Fax: 00 44 (0) 1752 219128
Email: sales@tecalemmit.co.uk
Web: www.tecalemmit.co.uk



All information in this document correct at time of publication. Tecalemit reserves the right to amend and alter specifications without prior notice. Please confirm any critical requirements with your supplier at time of ordering.

© Tecalemit 2004

Issue No: 493/4 - 01.04