



Saracen Distribution  
Unit 9, Grandstand Business Centre  
Faraday Road, Hereford, HR4 9NS  
Tel No: 01432 344133  
Fax No: 01432 34412  
Mobile: 07836 756468  
info@saracendistribution.co.uk  
<http://www.saracendistribution.co.uk>

## 5.0T CLASS IV & VII MOT & ATL SCISSOR LIFT





# 5.0T CLASS IV & VII MOT and ATL SCISSOR LIFT

## INSTALLATION & APPLICATION

New from Tecalemit in 2006 the SF 9064 5t Scissor lift is the complete solution for MOT stations seeking to equip their ATL/MOT test lane with the most space efficient and professional solution for under vehicle inspection.

The SF 9064 is a hydraulically operated heavy duty 5000kg capacity Scissor Lift supplied in ATL format with hydraulically operated Wheel Play Detectors and recesses for optional Radius Turning Plate.

The SF 9064 has been specifically developed to meet UK MOT requirements for Class IV and VII statutory testing. The generous platform dimensions and lifting load capacity also make the SF 9064 an ideal solution for general servicing and maintenance work on vehicles ranging from small saloon cars to the very largest LGV's including external wheel base and twin wheeled vehicles.

Installation is recommended into a prepared floor recess (specification available upon request) Alternatively the SF 9064 may be surface mounted and fitted with 1000mm drive on/off ramps.

## TECHNICAL SPECIFICATIONS & DIMENSIONS

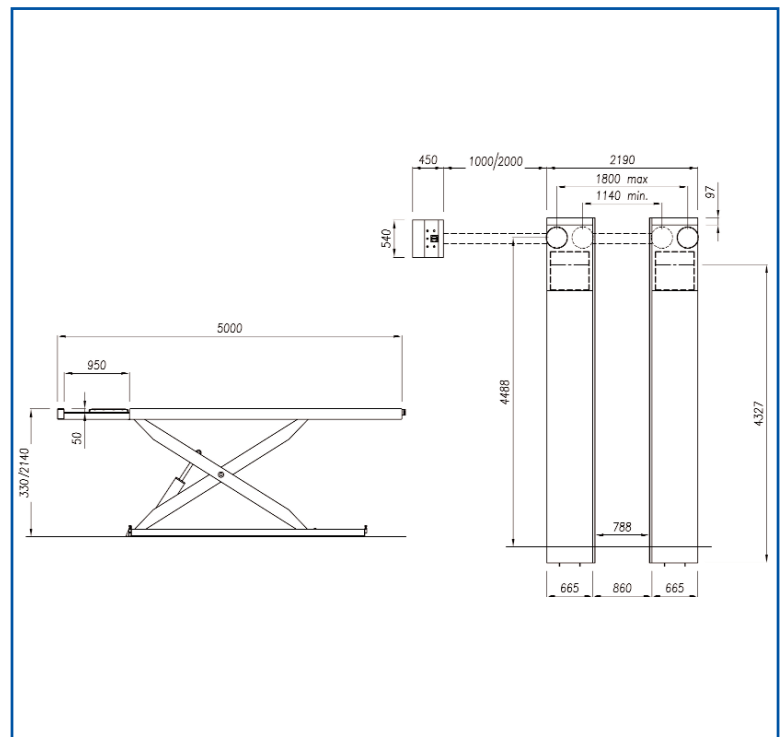
Maximum Load	5000Kg
Maximum Platform Height (surface mounted)	2140mm
Maximum Lifting Time	50 secs
Lowering Time	50 secs
Power Supply 3Ph	230-400V/50 Hz
Motor	3kW
Fused Isolator Rating 3Ph	20A

## PART NO & ORDERING INFORMATION

5t capacity Class IV and VII ATL Scissor Lift 3Ph for recessed installation	SF 9064
5t capacity Class IV & VII MOT Scissor Lift 3Ph, for recessed installation Wheel Play Detector Prepared	SF 9064/NPD

## OPTIONS & ACCESSORIES

2.6T Capacity Hydraulic Jacking Beam	SS 8770
4 Tube Lighting Kit (when installed with lift)	OA 60113
Ball Bearing type radius Turning plates	OA 60292
Play Detector Upgrade ( for ATL ready lift only)	DE 7350



### SERVICE

Tecalemit have a team of over 50 service engineers covering the whole of the UK. On-site maintenance, testing, re-calibration and trouble-shooting can all be carried out with the minimum of fuss and downtime for customers. Please consult our Plymouth Service Centre for further information on 01752 219100.

### WARRANTY

All products carry a 12 month warranty from the date of supply/installation, installation to be carried out by Tecalemit engineers. Exceptions to this being electrical cables and consumables.

### SALES

Tecalemit Garage Equipment Co Ltd, Eagle Road, Langage Business Park, Plympton, Plymouth, Devon PL7 5JY

Tel: 00 44 (0) 1752 219111  
Fax: 00 44 (0) 1752 219128  
Email: sales@tecalemmit.co.uk  
Web: www.tecalemmit.co.uk

